

Eco Preparation Corner Work Table with Upstand - disassembled

ITEM # _____

MODEL # _____

NAME # _____

SIS # _____

AIA # _____

**132851 (CTUD7N)**Work table disassembled with
upstand, 700mm, corner type

Short Form Specification

Item No. _____

Worktop in 304 AISI stainless steel with upturned edges and under panel made of sound deadening material. Rear upstand h=100mm. Square section legs 40x40mm in 304 AISI stainless steel with adjustable feet. Delivered disassembled.

Main Features

- Sturdiness, stability and reliability of table accurately tested.

Construction

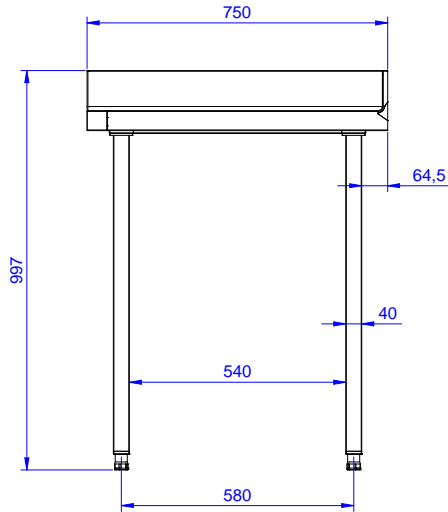
- Constructed entirely in stainless steel to offer maximum durability.
- Delivered in knock-down package.
- Wide range of taps are available to suit every need.

Optional Accessories

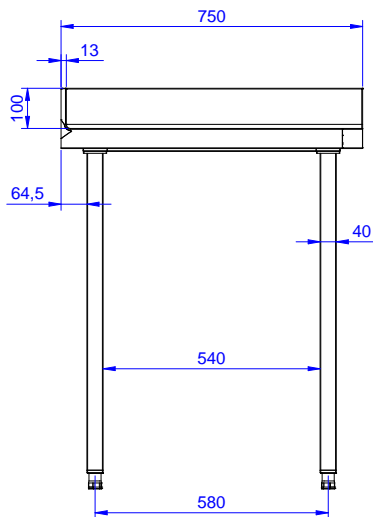
- Set of 4 wheels (2 with brake) PNC 855150
d. 100mm for tables and sinks
(total height on wheels= 993
mm)

APPROVAL: _____

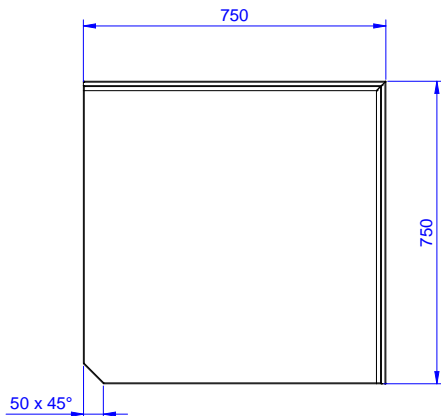
Front



Side



Top



Key Information:

External dimensions, Width:

132851 (CTUD7N) 750 mm

External dimensions, Depth:

750 mm

External dimensions, Height:

900 mm

Worktop thickness:

50 mm

Worktop/Shelf radius:

90°

Net weight:

33 kg